

# Beautiful Patterns that Add A Touch of Class



Use UCO-CEIL ceilings for image, superior quality, better aesthetics and cost effectiveness.

- ✓ Moisture resistant
- ✓ Fire-resistant
- ✓ Termite proof
- ✓ Standard size and dimension stability
- ✓ Better aesthetics
- ✓ Design variety
- ✓ Cost effective
- ✓ Easy installation



This sign endorses that the product is asbestos-free

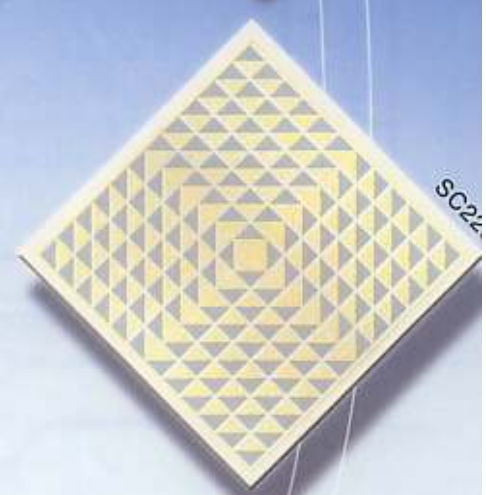
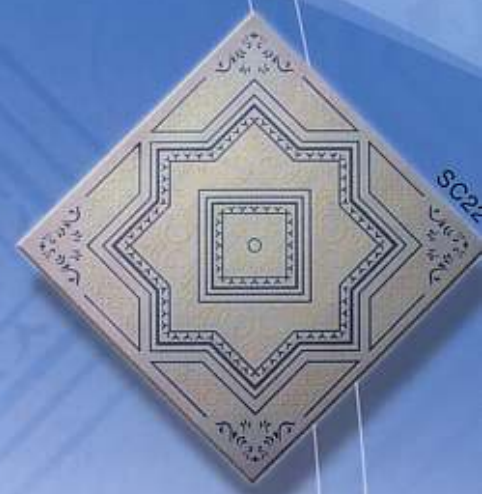


CERTIFIED TO MS ISO 9001 : 2000  
Registration No. : AR 0367

BUILD BETTER WITH



# UCO-CEIL



## PRODUCT FEATURES / ADVANTAGES

### Attractive

UCO-CEIL ceilings give a distinctive touch of class, with a variety of design.

### Versatile

UCO-CEIL blends beautifully into any design as suspended ceilings for interior of buildings. It enlivens the ceilings with clear patterns.

### Cost Effective

UCO-CEIL is durable. Easy and quick to install. Minimal maintenance.

### Excellent Quality

Innovative patterns incorporated with superior quality will ensure years of beauty and performance.

# PRODUCT SPECIFICATION

## PRODUCT COMPOSITION

Portland cement, specially treated cellulose fibre and refined sand.

## FIRE RESISTANCE

UCO-CEIL base board conforms to:

- BS 476 Part 6 (Fire Propagation)  
Index of performance (I) = 0.0 to 1.3  
Sub-index (i<sub>1</sub>) = 0.0 to 0.6  
(i<sub>2</sub>) = 0.0 to 0.3  
(i<sub>3</sub>) = 0.0 to 0.4
- BS 476 Part 7 (Surface Spread of Flame)  
Characteristics - Class (1)

## DENSITY AT OVEN DRY

1.33 to 1.36 g/cm<sup>3</sup>

## WATER ABSORPTION (by weight)

22.0% (EMC to Saturated)

## MOISTURE CONTENT AT EMC (by weight)

8.0%

## FLEXURAL STRENGTH

(Average Modulus of Rupture)

Oven Dry	23MPa
EMC	20MPa
Saturated	14MPa

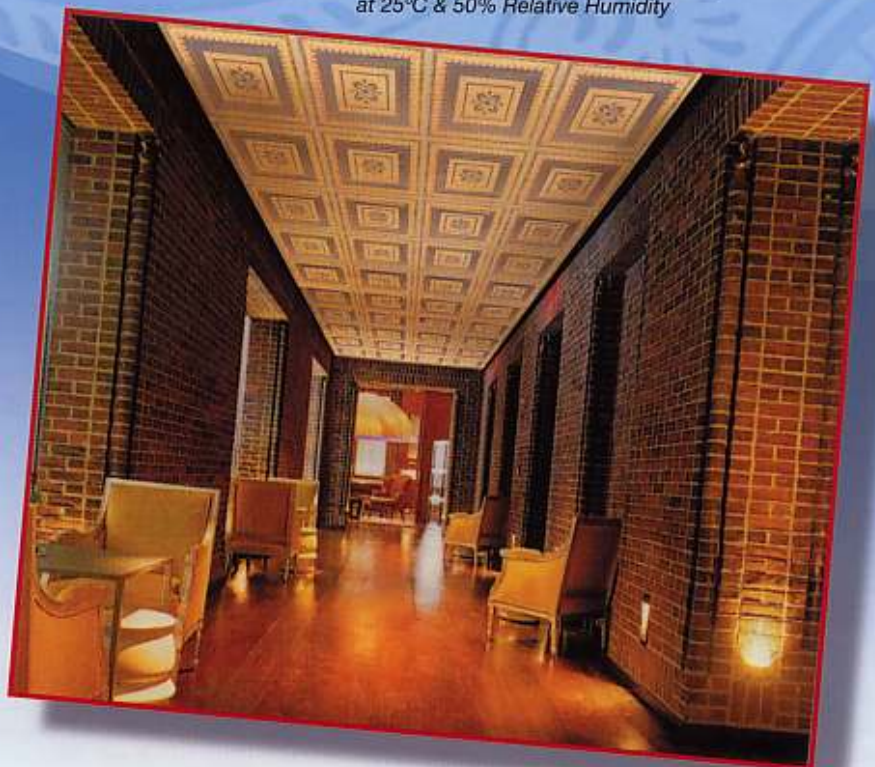
## THERMAL CONDUCTIVITY

Estimated at 20°C 0.30 W/mK

## MOISTURE MOVEMENT

0.06% to 0.08% (Saturated to EMC)

\*EMC : Equilibrium Moisture Content, at 25°C & 50% Relative Humidity





## Installation

Main runners to be fixed at 1220mm centres securely fastened to the structural soffit using an appropriate suspension at 1220mm centres. Cross Tees at 1220mm length to be fixed between the main runners at 610mm centres and another cross tee fixed at mid span between 610mm to form a grid structure of 610mm x 610mm.

DIMENSION		
Standard size (mm)	595	603
	x	x
	595	603
Nominal Thickness (mm)	3.2	
Approx. Weight/board (kg)	1.7	
No. of board/std. pack	12	

### Footnote:

- Other sizes and thicknesses can be manufactured subject to minimum order quantity.
- It is important to install UCO-CEIL correctly.  
For further information, please consult our technical sales personnel.

### WARRANTY

The recommendations in this brochure are formulated along the lines of good building practice. However, this brochure is not intended to be an exhaustive statement of all relevant data.

As the success of building projects depends on many factors outside UAC's control (e.g. quality of workmanship, particular design detail requirements etc.), UAC accepts no responsibility or liability for or in connection with the quality of the projects or their suitability when completed.

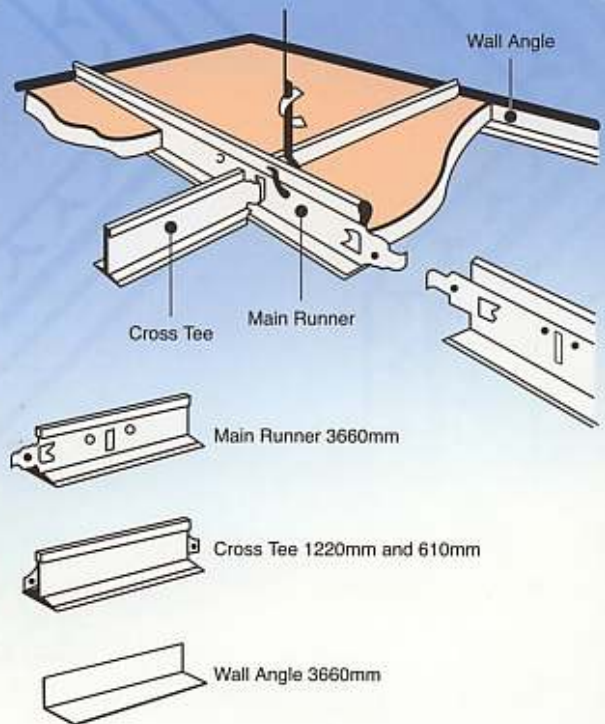
For a warranty period of one year from date of delivery of UAC's products ("UAC Products") to the purchaser ("Warranty Period"), UAC warrants that the UAC Products are free from defects which are solely due to materials or manufacturing faults. The foregoing warranty shall not apply to the extent that:

- the defect, loss or damage is caused by any act, default or misuse of the UAC Products (or part thereof) by the purchaser or any third party or by failure to follow any instructions or specifications of UAC or by modification of the UAC Products or installation, application and/or combination of the UAC Products with any other product not approved by UAC; or
- UAC is not notified in writing within the Warranty Period of any relevant defect in the UAC Products or part thereof.

Subject to such provisos, UAC will at its sole option and subject to the investigations, verifications and inspection of such defect by a UAC representative, either (a) replace such defective UAC Product or part thereof; or (b) re-lund the price paid for the defective UAC Product or part thereof. The liability of UAC shall include only Products with antecedent defects. The liability cannot be extended to include Products without defects which might have been delivered at the same time as the defective Products. The foregoing shall be the sole and exclusive remedy in the event of any breach of the said warranty.

To the greatest extent permitted by any applicable law, the warranties referred to the above shall be sole and exclusive and in lieu of all implied or statutory warranties (including without limitation, the implied warranties imposed by the Malaysian Sale of Goods Act 1957 and all other warranties implied by law as to merchantability, satisfactory quality or fitness for a particular purpose, or otherwise arising from course of dealing or usage of trade) or any other express or implied warranties or representations.

To the greatest extent permitted by any applicable law, in no event shall UAC be liable to the purchaser or any other person or entity for any loss or damage including without limitation special, indirect, incidental, punitive, exemplary, or consequential damages, loss of profits, loss of business or loss of use; whether based upon contract, tort, negligence or otherwise arising out of the manufacture, sale or delivery of the UAC Products, even if UAC has been advised of the possibility of such damage or loss.



**BUILD BETTER WITH**

3RD FLOOR, MENARA BOUSTEAD, NO. 69, JALAN RAJA CHULAN, 50200 KUALA LUMPUR  
P.O. BOX 12266, 50772 KUALA LUMPUR. TEL: 03-2141 2266 FAX: 03-2141 5160

E-mail: sales@uac.com.my Website: <http://www.uac.com.my>



T5149 H